

# Belgrade Basic Cement Silos





## Table of Contents

185 Barrel Basic Silo.....	8
270 Barrel Basic Silo.....	9
350 Barrel Basic Silo.....	10
450 Barrel Basic Silo.....	11
550 Barrel Basic Silo.....	12
700 Barrel Basic Silo.....	13
900 Barrel Basic Silo.....	14
1050 Barrel Basic Silo.....	15
1200 Barrel Basic Silo.....	16
500 Barrel Split Silo .....	17
700 Barrel Split Silo .....	18
850 Barrel Split Silo .....	19
1000 Barrel Split Silo .....	20
1200 Barrel Split Silo .....	21

# 185 Barrel Basic Cement Silo

**BELGRADE  
STEEL TANK**



## 185 Barrel Basic Cement Silo

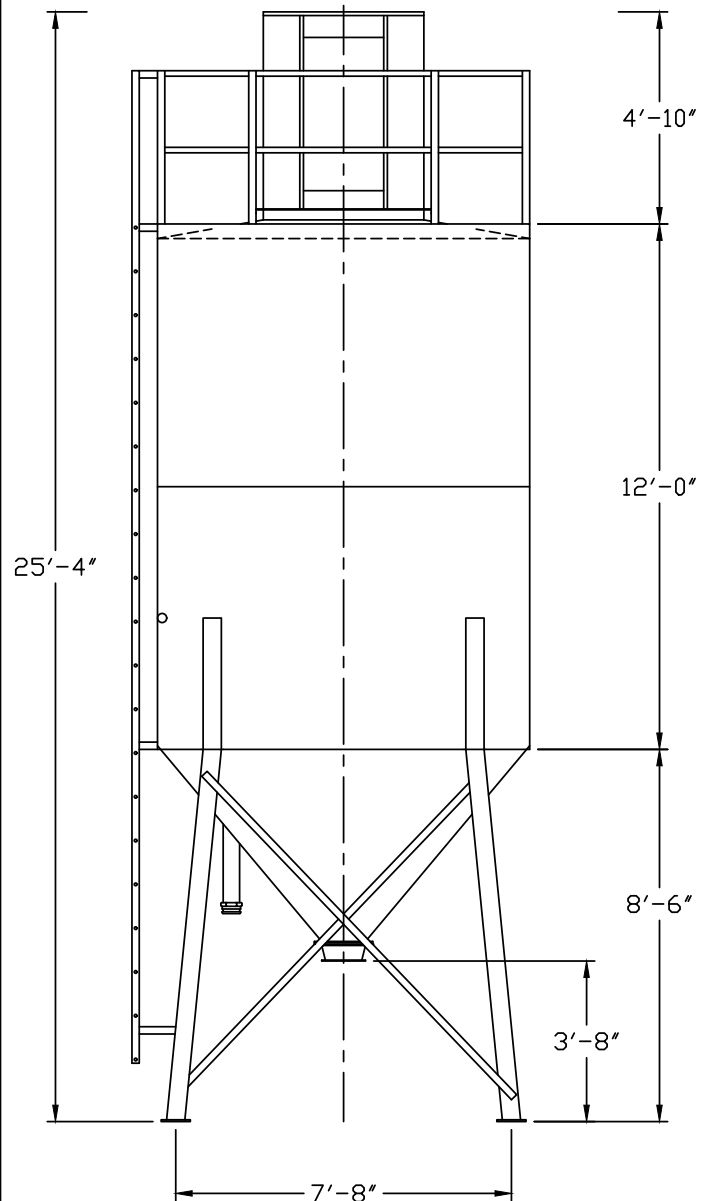
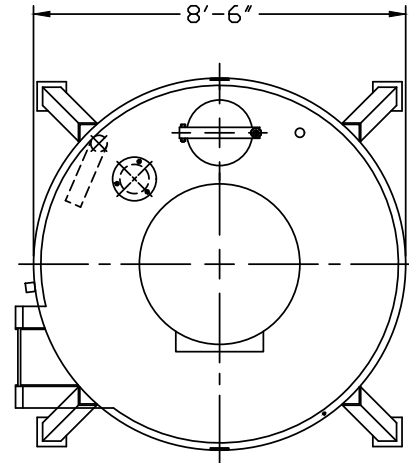
- 8'-6" Diameter x 25'-4" Overall Height
- 150 Sq. Ft. Bag Area Dust Collector with Air Vibrator
- Pressure Relief Valve
- 3'-8" Clearance Under Discharge
- Outside Ladder with OSHA Compliant Fall Arrest Cable System
- 4" Fill Pipe with Aluminum Adapter
- 18" Non-Pressurized Inspection Manhole
- (8) Externally Mounted Air Pads with Manifold, Regulator, and Check Valve
- Emergency Jam Gate
- Sandblast, Prime, and Paint
- Standard Colors:
- RAL 7038 Gray, RAL 9010 White, RAL 1001 Tan, RAL 1032 Yellow

## Options

- 225 Sq. Ft. Dust Collector
- 330 Sq. Ft. Pulse Jet Dust Collector
- Bin Level Indicators
- Manual Air Valve Controls
- Butterfly Valve
- 5" Fill Pipe

## Specifications

- Empty Weight 6,000#
- 740 Cu. Ft. Capacity
- 34 Ton Capacity (Cement)
- Part Number: BST185-86



# 270 Barrel Basic Cement Silo

**BELGRADE  
STEEL TANK**



## 270 Barrel Basic Cement Silo

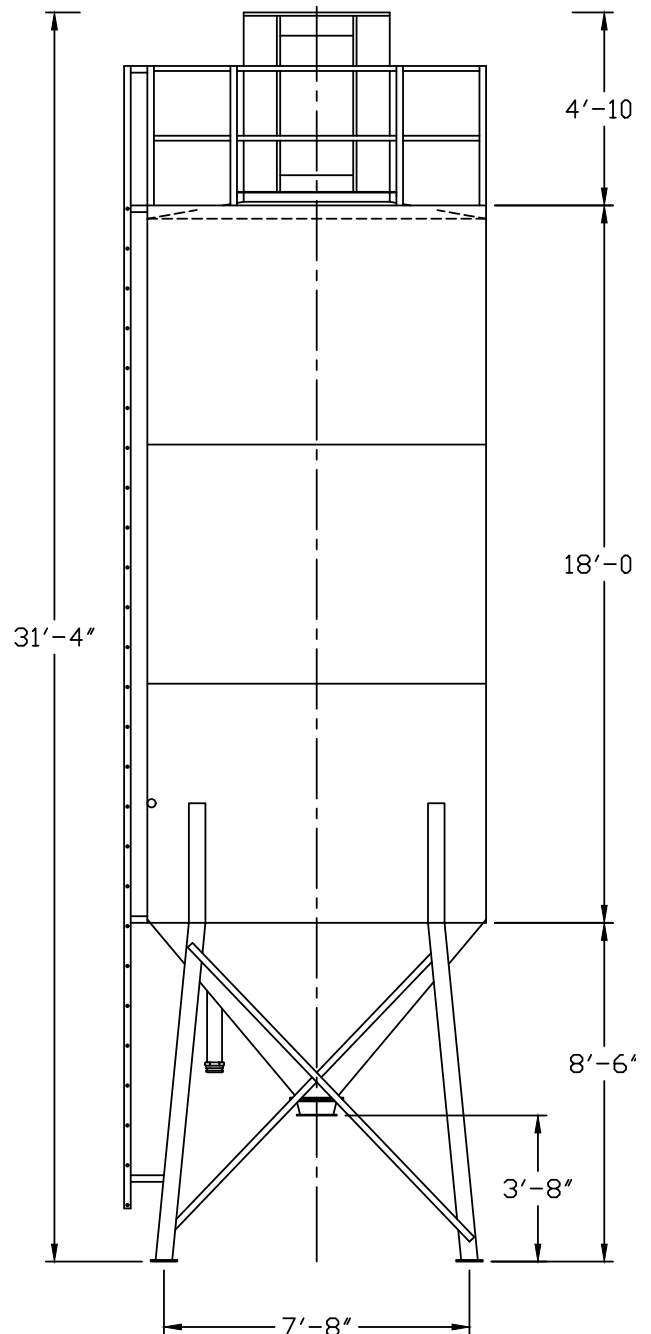
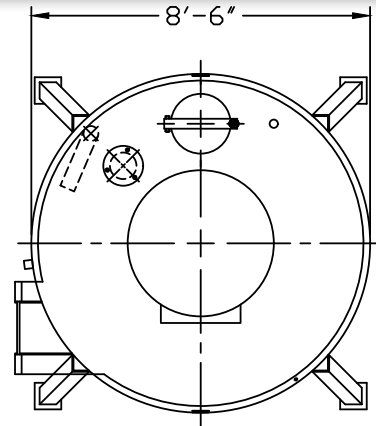
- 8'-6" Diameter x 31'-4" Overall Height
- 150 Sq. Ft. Bag Area Dust Collector with Air Vibrator
- Pressure Relief Valve
- 3'-8" Clearance Under Discharge
- Outside Ladder with OSHA Compliant Fall Arrest Cable System
- 4" Fill Pipe with Aluminum Adapter
- 18" Non-Pressurized Inspection Manhole
- (8) Externally Mounted Air Pads with Manifold, Regulator, and Check Valve
- Emergency Jam Gate
- Sandblast, Prime, and Paint
- Standard Colors:
- RAL 7038 Gray, RAL 9010 White, RAL 1001 Tan, RAL 1032 Yellow

## Options

- 225 Sq. Ft. Dust Collector
- 330 Sq. Ft. Pulse Jet Dust Collector
- Bin Level Indicators
- Manual Air Valve Controls
- Butterfly Valve
- 5" Fill Pipe

## Specifications

- Empty Weight 7,000#
- 1,080 Cu. Ft. Capacity
- 50 Ton Capacity (Cement)
- Part Number: BST270-86



# 350 Barrel Basic Cement Silo

**BELGRADE  
STEEL TANK**



## 350 Barrel Basic Cement Silo

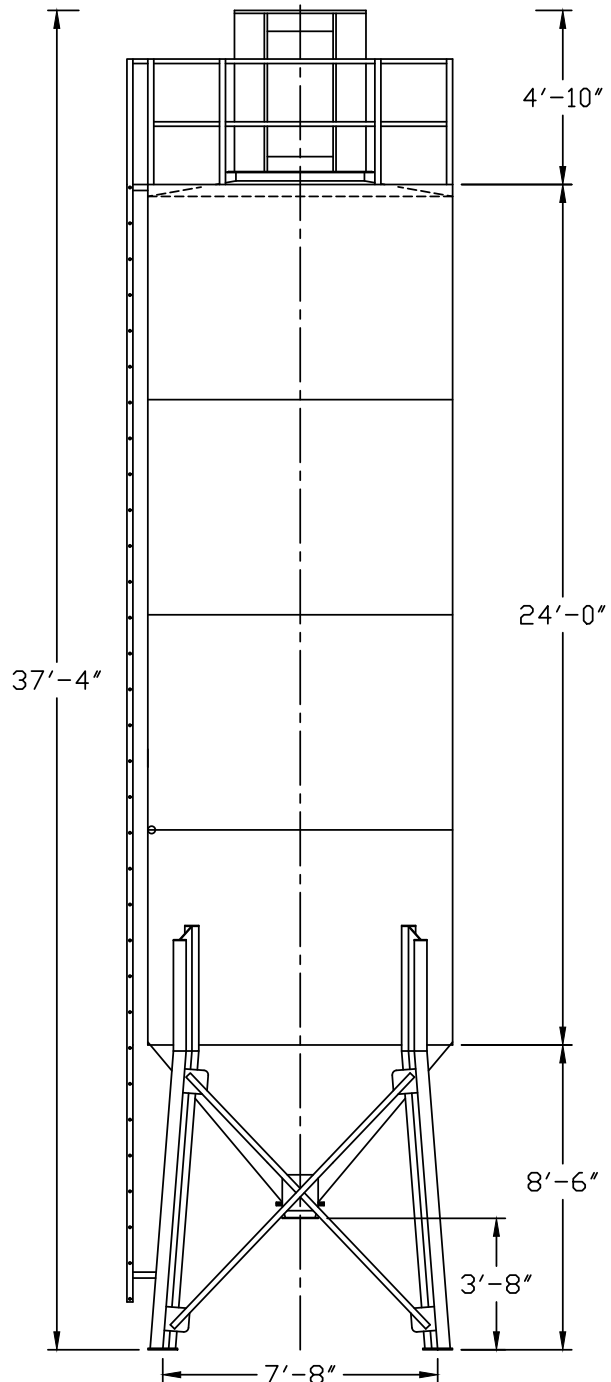
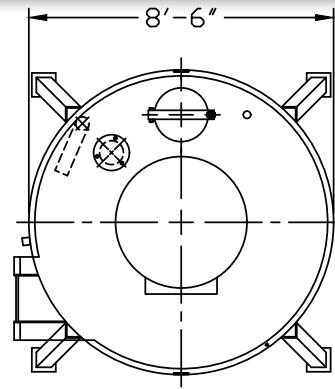
- 8'-6" Diameter x 37'-4" Overall Height
- 150 Sq. Ft. Bag Area Dust Collector with Air Vibrator
- Pressure Relief Valve
- 3'-8" Clearance Under Discharge
- Outside Ladder with OSHA Compliant Fall Arrest Cable System
- 4" Fill Pipe with Aluminum Adapter
- 18" Non-Pressurized Inspection Manhole
- (8) Externally Mounted Air Pads with Manifold, Regulator, and Check Valve
- Emergency Jam Gate
- Sandblast, Prime, and Paint
- Standard Colors:
- RAL 7038 Gray, RAL 9010 White, RAL 1001 Tan, RAL 1032 Yellow

## Options

- 225 Sq. Ft. Dust Collector
- 330 Sq. Ft. Pulse Jet Dust Collector
- Bin Level Indicators
- Manual Air Valve Controls
- Butterfly Valve
- 5" Fill Pipe

## Specifications

- Empty Weight 9,000#
- 1,400 Cu. Ft. Capacity
- 65 Ton Capacity (Cement)
- Part Number: BST350-86



# 450 Barrel Basic Cement Silo

**BELGRADE**  
**STEEL TANK**



## 450 Barrel Basic Cement Silo

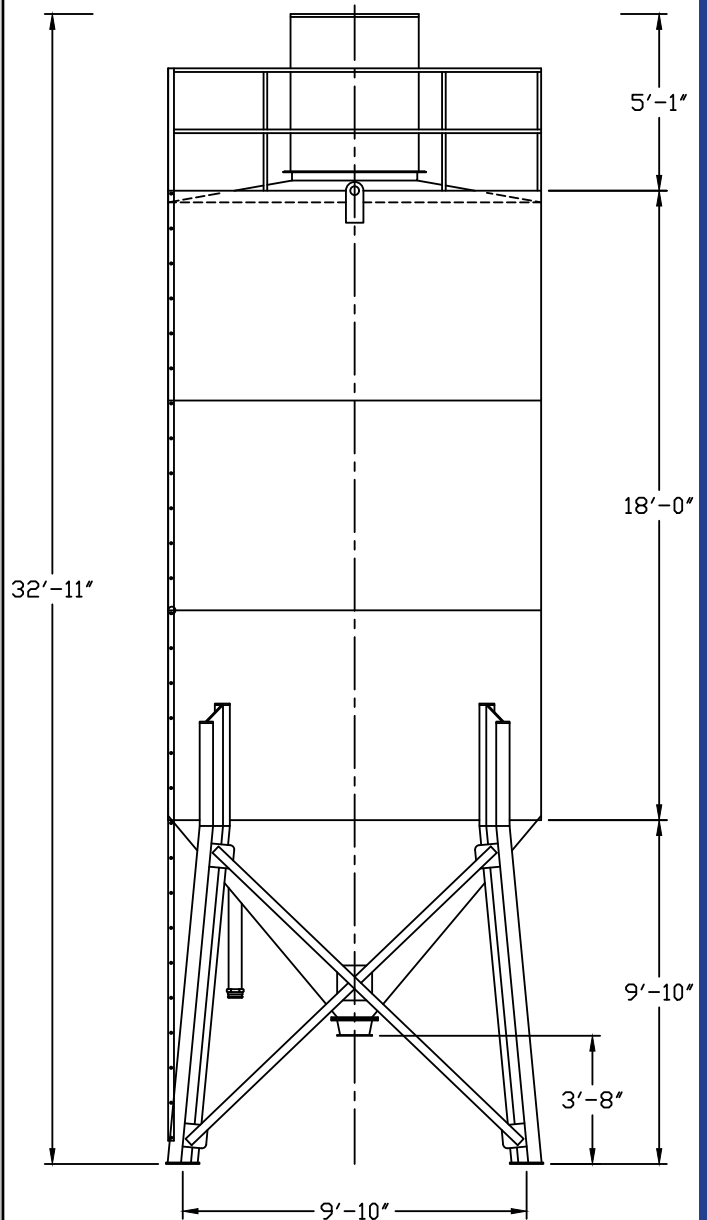
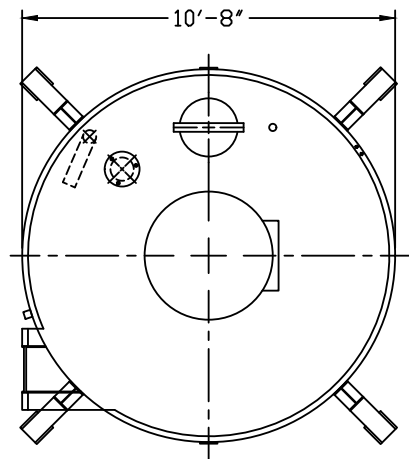
- 10'-8" Diameter x 32'-11" Overall Height
- 150 Sq. Ft. Bag Area Dust Collector with Air Vibrator
- Pressure Relief Valve
- 3'-8" Clearance Under Discharge
- Outside Ladder with OSHA Compliant Fall Arrest Cable System
- 4" Fill Pipe with Aluminum Adapter
- 20" Non-Pressurized Inspection Manhole
- (8) Externally Mounted Air Pads with Manifold, Regulator, and Check Valve
- Emergency Jam Gate
- Sandblast, Prime, and Paint
- Standard Colors:
  - RAL 7038 Gray, RAL 9010 White, RAL 1001 Tan, RAL 1032 Yellow

## Options

- 225 Sq. Ft. Dust Collector
- 330 Sq. Ft. Pulse Jet Dust Collector
- Bin Level Indicators
- Manual Air Valve Controls
- Butterfly Valve
- 5" Fill Pipe

## Specifications

- Empty Weight 10,000#
- 1,800 Cu. Ft. Capacity
- 84 Ton Capacity (Cement)
- Part Number: BST450-108



# 550 Barrel Basic Cement Silo

**BELGRADE  
STEEL TANK**



## 550 Barrel Basic Cement Silo

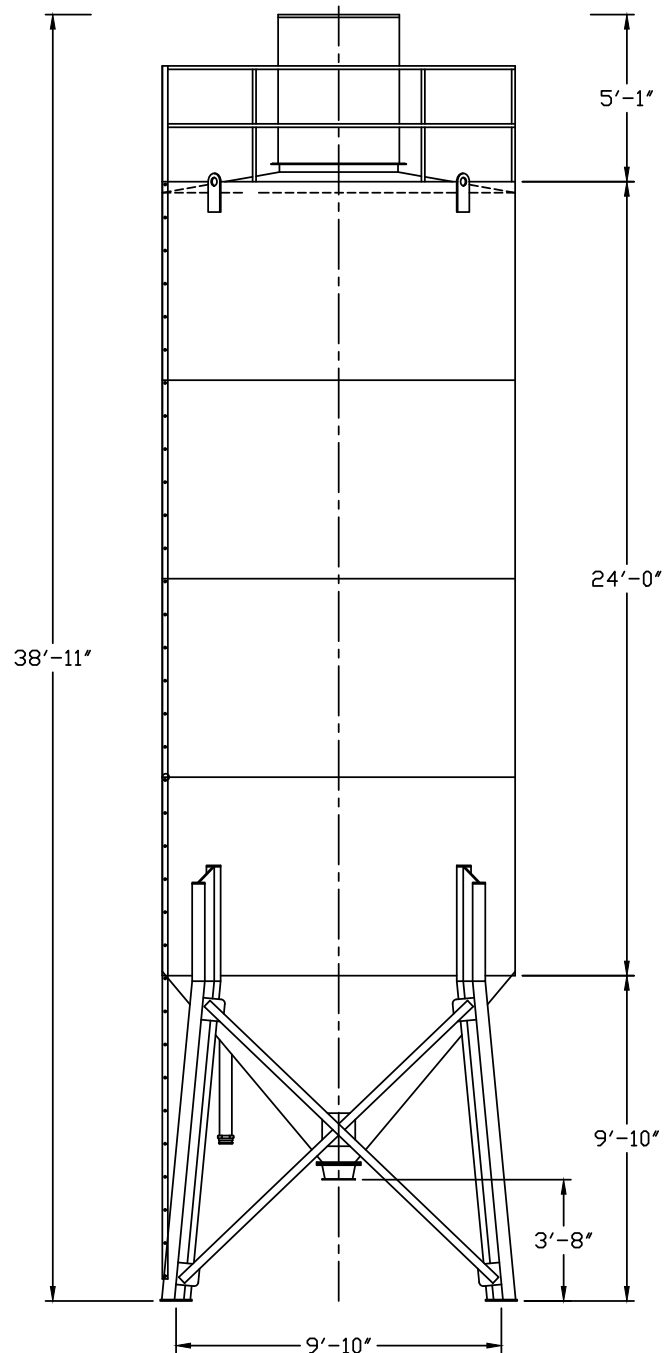
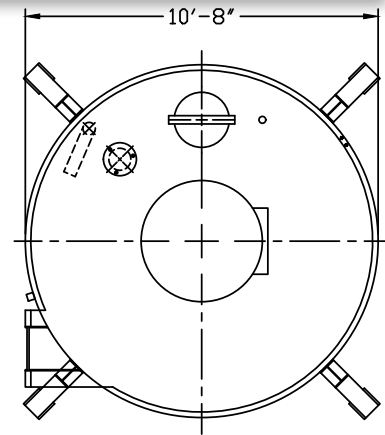
- 10'-8" Diameter x 38'-11" Overall Height
- 150 Sq. Ft. Bag Area Dust Collector with Air Vibrator
- Pressure Relief Valve
- 3'-8" Clearance Under Discharge
- Outside Ladder with OSHA Compliant Fall Arrest Cable System
- 4" Fill Pipe with Aluminum Adapter
- 20" Non-Pressurized Inspection Manhole
- (8) Externally Mounted Air Pads with Manifold, Regulator, and Check Valve
- Emergency Jam Gate
- Sandblast, Prime, and Paint
- Standard Colors:
- RAL 7038 Gray, RAL 9010 White, RAL 1001 Tan, RAL 1032 Yellow

## Options

- 225 Sq. Ft. Dust Collector
- 330 Sq. Ft. Pulse Jet Dust Collector
- Bin Level Indicators
- Manual Air Valve Controls
- Butterfly Valve
- 5" Fill Pipe

## Specifications

- Empty Weight 13,000#
- 2,200 Cu. Ft. Capacity
- 100 Ton Capacity (Cement)
- Part Number: BST550-108



# 700 Barrel Basic Cement Silo

**BELGRADE**  
**STEEL TANK**



## 700 Barrel Basic Cement Silo

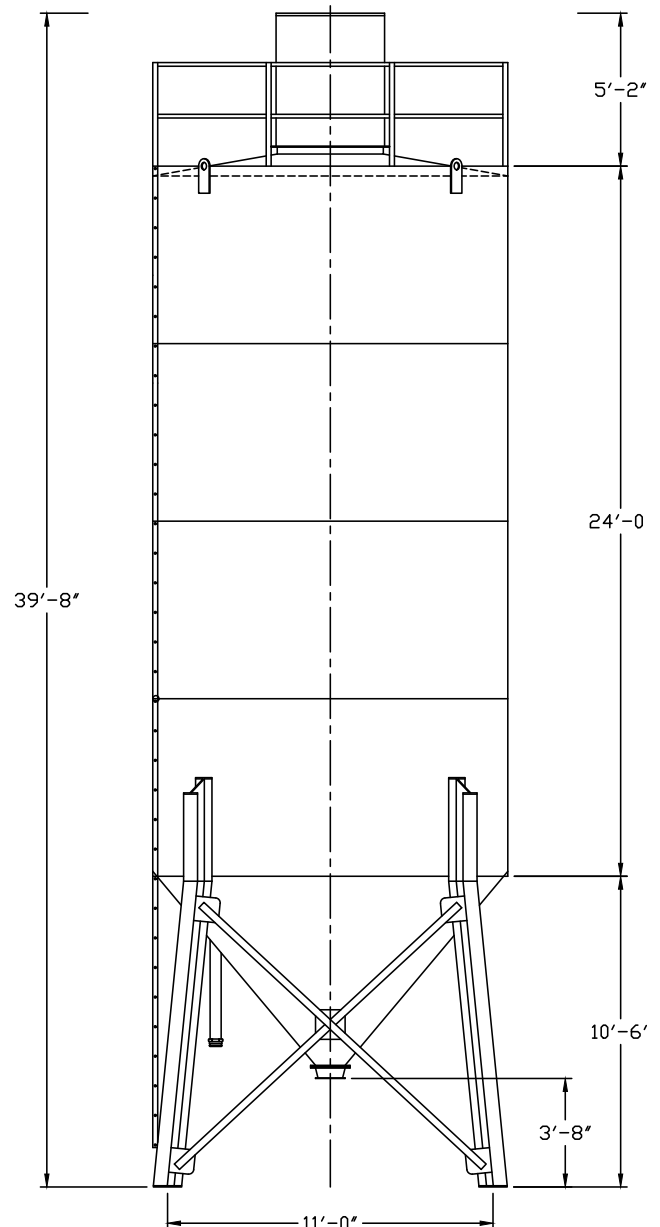
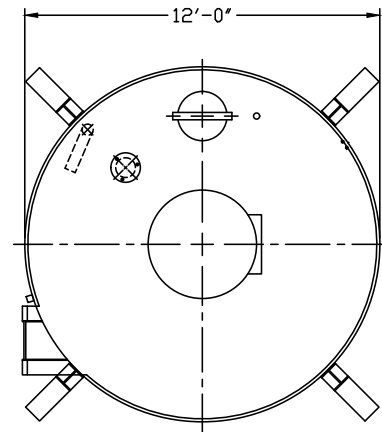
- 12'-0" Diameter x 39'-8" Overall Height
- 150 Sq. Ft. Bag Area Dust Collector with Air Vibrator
- Pressure Relief Valve
- 3'-8" Clearance Under Discharge
- Outside Ladder with OSHA Compliant Fall Arrest Cable System
- 4" Fill Pipe with Aluminum Adapter
- 20" Non-Pressurized Inspection Manhole
- (8) Externally Mounted Air Pads with Manifold, Regulator, and Check Valve
- Emergency Jam Gate
- Sandblast, Prime, and Paint
- Standard Colors:
- RAL 7038 Gray, RAL 9010 White, RAL 1001 Tan, RAL 1032 Yellow

## Options

- 225 Sq. Ft. Dust Collector
- 330 Sq. Ft. Pulse Jet Dust Collector
- Bin Level Indicators
- Manual Air Valve Controls
- Butterfly Valve
- 5" Fill Pipe

## Specifications

- Empty Weight 15,000#
- 2,800 Cu. Ft. Capacity
- 130 Ton Capacity (Cement)
- Part Number: BST700-120





# 900 Barrel Basic Cement Silo

**BELGRADE  
STEEL TANK**



## 900 Barrel Basic Cement Silo

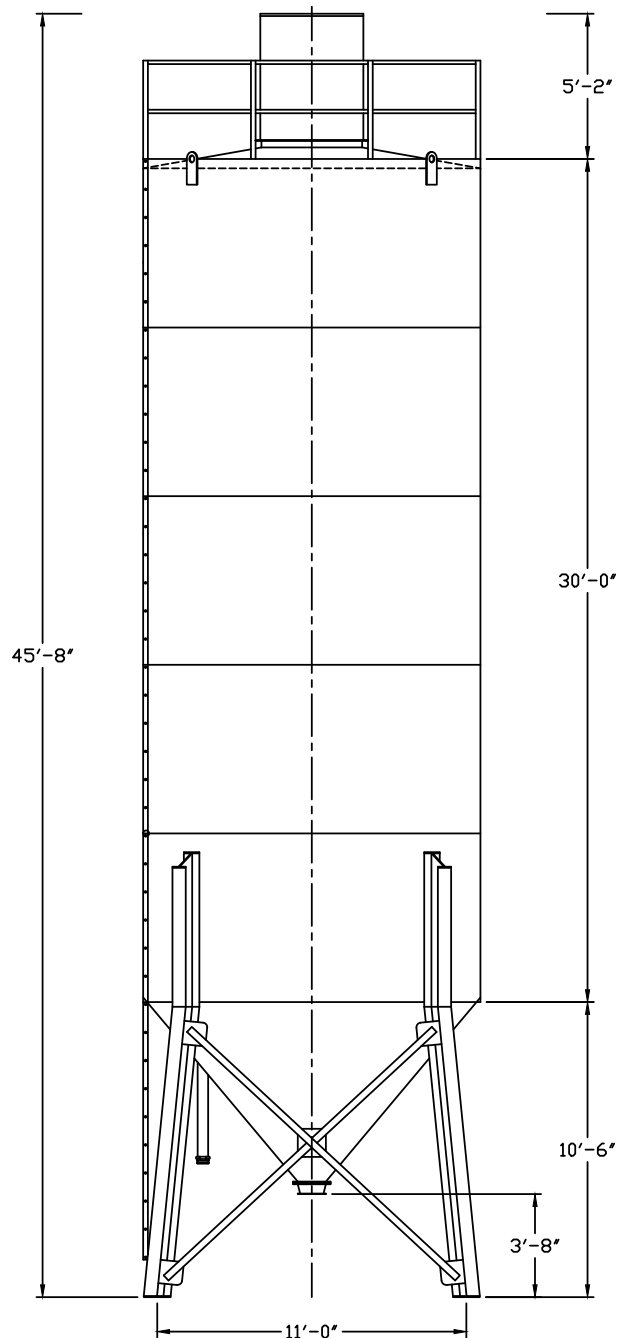
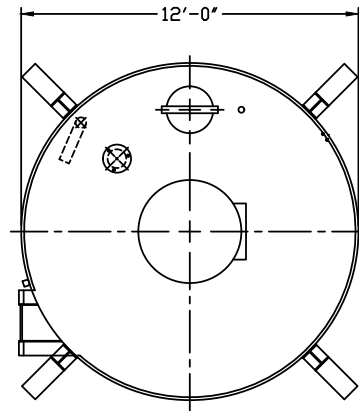
- 12'-0" Diameter x 45'-8" Overall Height
- 150 Sq. Ft. Bag Area Dust Collector with Air Vibrator
- Pressure Relief Valve
- 3'-8" Clearance Under Discharge
- Outside Ladder with OSHA Compliant Fall Arrest Cable System
- 4" Fill Pipe with Aluminum Adapter
- 20" Non-Pressurized Inspection Manhole
- (8) Externally Mounted Air Pads with Manifold, Regulator, and Check Valve
- Emergency Jam Gate
- Sandblast, Prime, and Paint
- Standard Colors:
- RAL 7038 Gray, RAL 9010 White, RAL 1001 Tan, RAL 1032 Yellow

## Options

- 225 Sq. Ft. Dust Collector
- 330 Sq. Ft. Pulse Jet Dust Collector
- Bin Level Indicators
- Manual Air Valve Controls
- Butterfly Valve
- 5" Fill Pipe

## Specifications

- Empty Weight 17,000#
- 3,600 Cu. Ft. Capacity
- 168 Ton Capacity (Cement)
- Part Number: BST900-120



# 1050 Barrel Basic Cement Silo

**BELGRADE**  
**STEEL TANK**



## 1050 Barrel Basic Cement Silo

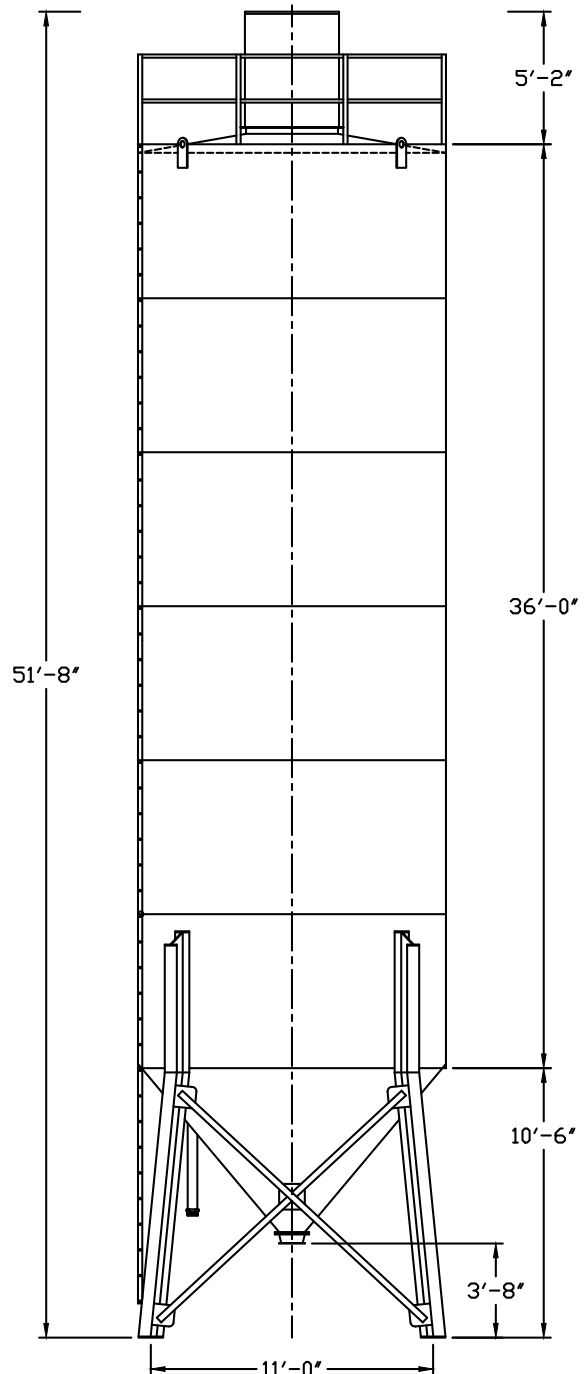
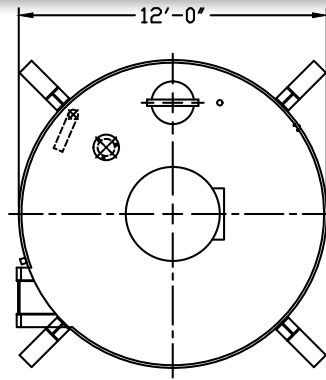
- 12'-0" Diameter x 51'-8" Overall Height
- 150 Sq. Ft. Bag Area Dust Collector with Air Vibrator
- Pressure Relief Valve
- 3'-8" Clearance Under Discharge
- Outside Ladder with OSHA Compliant Fall Arrest Cable System
- 4" Fill Pipe with Aluminum Adapter
- 20" Non-Pressurized Inspection Manhole
- (8) Externally Mounted Air Pads with Manifold, Regulator, and Check Valve
- Emergency Jam Gate
- Sandblast, Prime, and Paint
- Standard Colors:
  - RAL 7038 Gray, RAL 9010 White, RAL 1001 Tan, RAL 1032 Yellow

## Options

- 225 Sq. Ft. Dust Collector
- 330 Sq. Ft. Pulse Jet Dust Collector
- Bin Level Indicators
- Manual Air Valve Controls
- Butterfly Valve
- 5" Fill Pipe

## Specifications

- Empty Weight 21,000#
- 4,200 Cu. Ft. Capacity
- 196 Ton Capacity (Cement)
- Part Number: BST1050-120



# 1200 Barrel Basic Cement Silo

**BELGRADE  
STEEL TANK**



## 1200 Barrel Basic Cement Silo

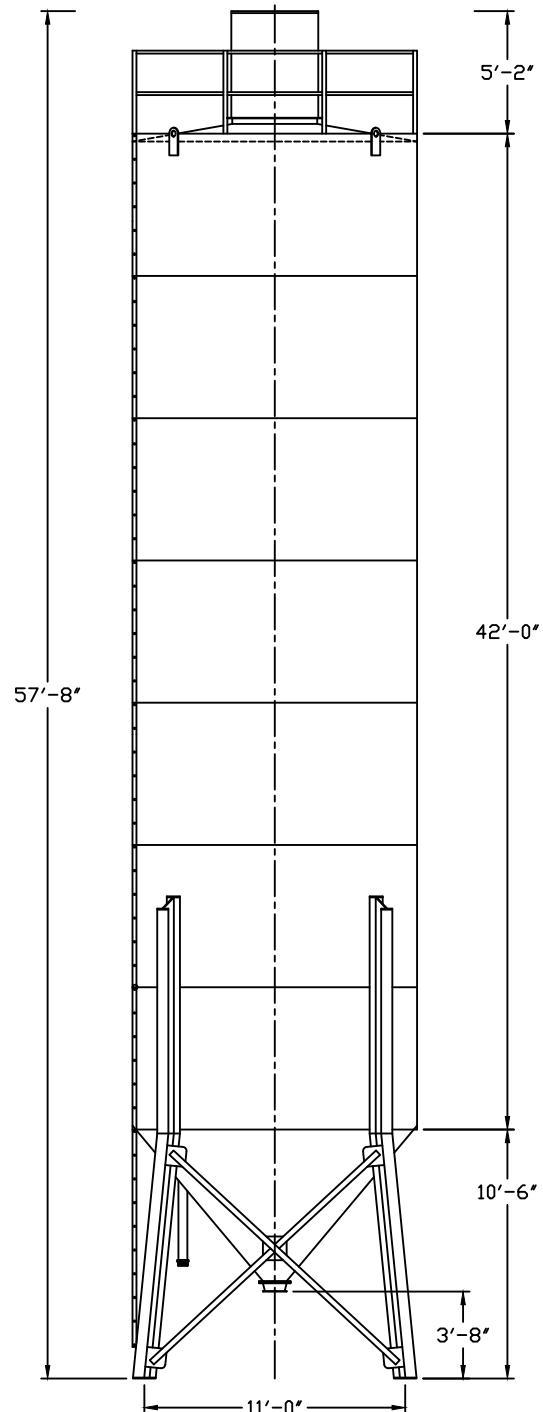
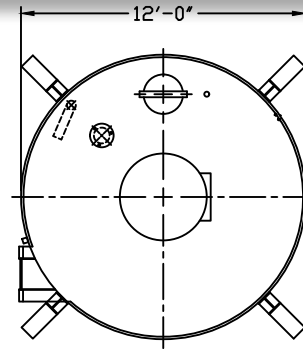
- 12'-0" Diameter x 57'-8" Overall Height
- 150 Sq. Ft. Bag Area Dust Collector with Air Vibrator
- Pressure Relief Valve
- 3'-8" Clearance Under Discharge
- Outside Ladder with OSHA Compliant Fall Arrest Cable System
- 4" Fill Pipe with Aluminum Adapter
- 20" Non-Pressurized Inspection Manhole
- (8) Externally Mounted Air Pads with Manifold, Regulator, and Check Valve
- Emergency Jam Gate
- Sandblast, Prime, and Paint
- Standard Colors:
- RAL 7038 Gray, RAL 9010 White, RAL 1001 Tan, RAL 1032 Yellow

## Options

- 225 Sq. Ft. Dust Collector
- 330 Sq. Ft. Pulse Jet Dust Collector
- Bin Level Indicators
- Manual Air Valve Controls
- Butterfly Valve
- 5" Fill Pipe

## Specifications

- Empty Weight 24,000#
- 4,800 Cu. Ft. Capacity
- 225 Ton Capacity (Cement)
- Part Number: BST1200-120



# 500 Barrel Split Cement Silo

**BELGRADE  
STEEL TANK**



## 500 Barrel Split Silo

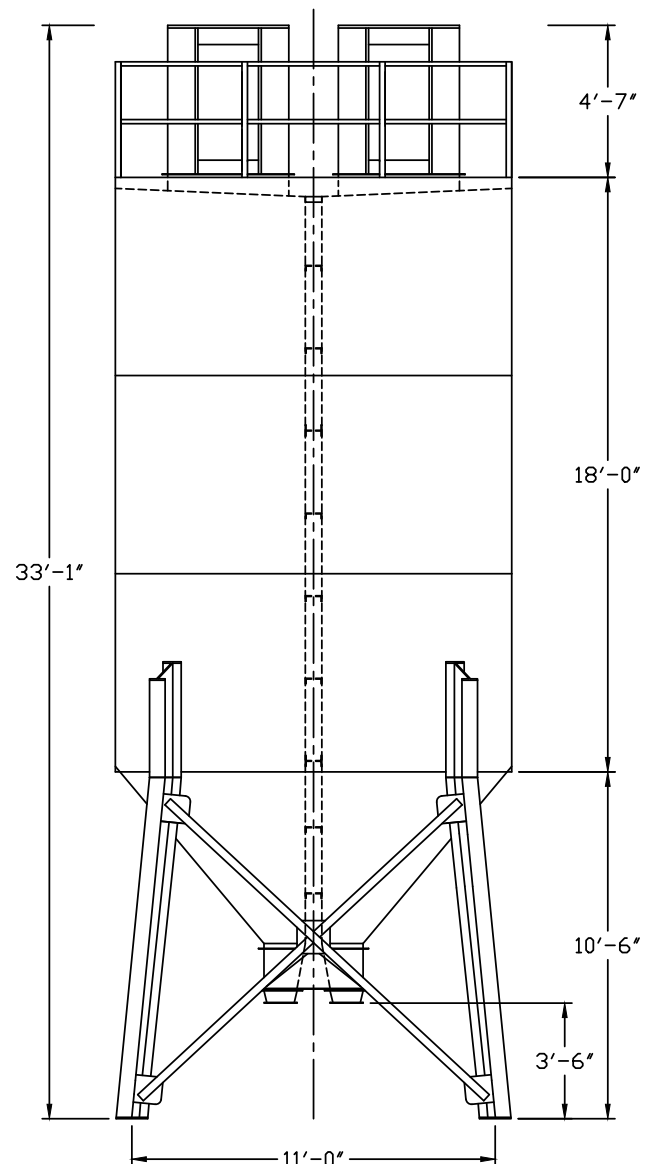
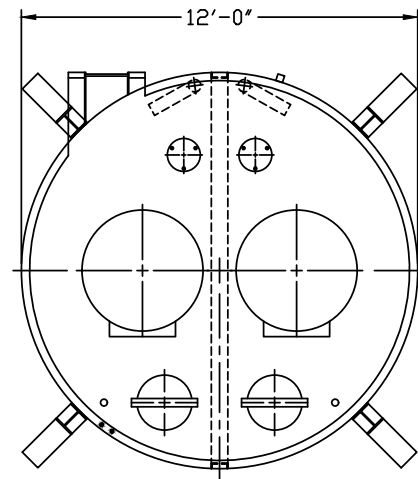
- 12'-0" Diameter x 33'-1" Overall Height
- (2) 150 Sq. Ft. Bag Area Dust Collectors with Air Vibrators
- (2) Pressure Relief Valves
- 3'-6" Clearance Under Discharge
- Outside Ladder with OSHA Compliant Fall Arrest Cable System
- (2) 4" Fill Pipes with Aluminum Adapters
- (2) 20" Non-Pressurized Inspection Manholes
- (12) Externally Mounted Air Pads with Manifold, Regulator, and Check Valve
- (2) Emergency Jam Gates
- Sandblast, Prime, and Paint
- Standard Colors:
  - RAL 7038 Gray, RAL 9010 White, RAL 1001 Tan, RAL 1032 Yellow

## Options

- 225 Sq. Ft. Dust Collector
- 330 Sq. Ft. Pulse Jet Dust Collector
- Bin Level Indicators
- Manual Air Valve Controls
- Butterfly Valve
- 5" Fill Pipe
- 33/66 or 50/50 Split Design
- 2'-0" or 3'-6" Discharge Center

## Specifications

- Empty Weight #18,000
- 2,000 Cu. Ft. Capacity
- 94 Ton Capacity (Cement)
- Part Number: BST500S-120



# 700 Barrel Split Cement Silo

**BELGRADE  
STEEL TANK**



## 700 Barrel Split Silo

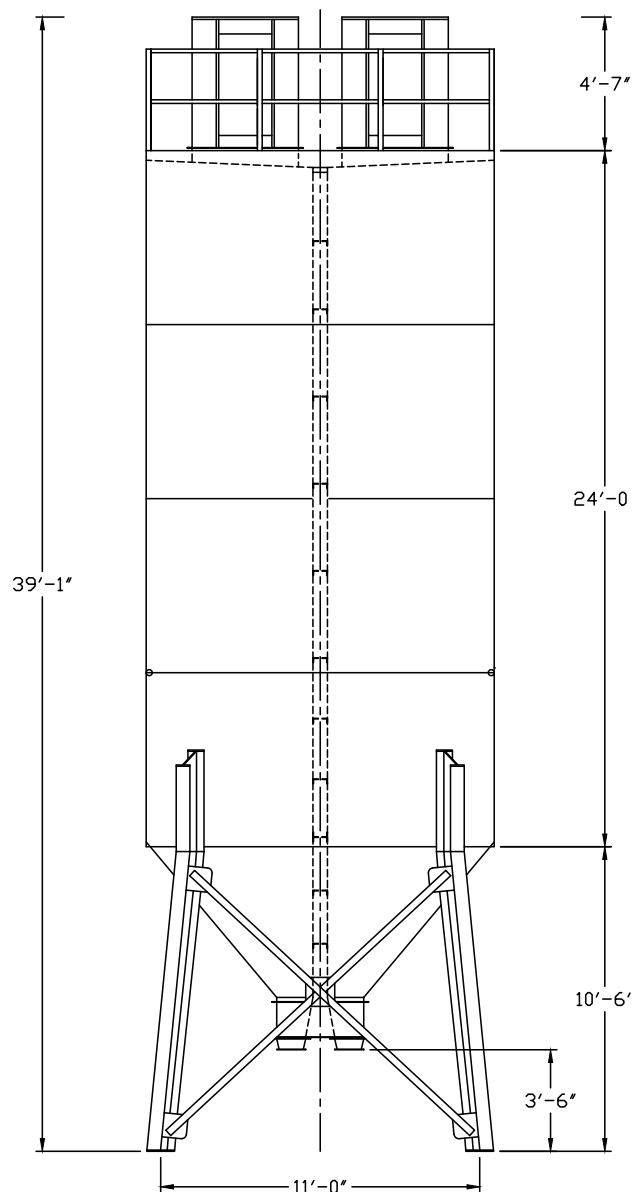
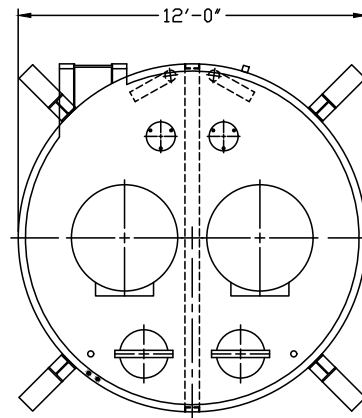
- 12'-0" Diameter x 39'-1" Overall Height
- (2) 150 Sq. Ft. Bag Area Dust Collectors with Air Vibrators
- (2) Pressure Relief Valves
- 3'-6" Clearance Under Discharge
- Outside Ladder with OSHA Compliant Fall Arrest Cable System
- (2) 4" Fill Pipes with Aluminum Adapters
- (2) 20" Non-Pressurized Inspection Manholes
- (12) Externally Mounted Air Pads with Manifold, Regulator, and Check Valve
- (2) Emergency Jam Gates
- Sandblast, Prime, and Paint
- Standard Colors: RAL 7038 Gray, RAL 9010 White, RAL 1001 Tan, RAL 1032 Yellow

## Options

- 225 Sq. Ft. Dust Collector
- 330 Sq. Ft. Pulse Jet Dust Collector
- Bin Level Indicators
- Manual Air Valve Controls
- Butterfly Valve
- 5" Fill Pipe
- 33/66 or 50/50 Split Design
- 2'-0" or 3'-6" Discharge Center

## Specifications

- Empty Weight 21,500#
- 2,600 Cu. Ft. Capacity
- 122 Ton Capacity (Cement)
- Part Number: BST700S-120



# 850 Barrel Split Cement Silo

**BELGRADE**  
**STEEL TANK**



## 850 Barrel Split Silo

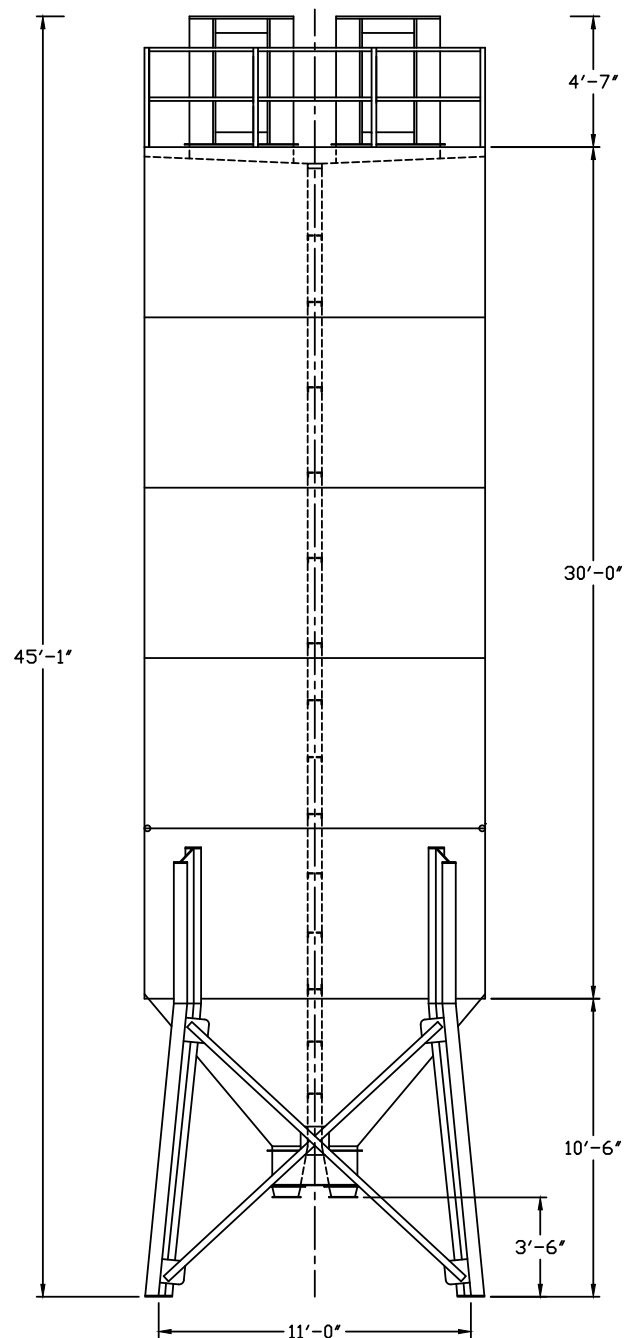
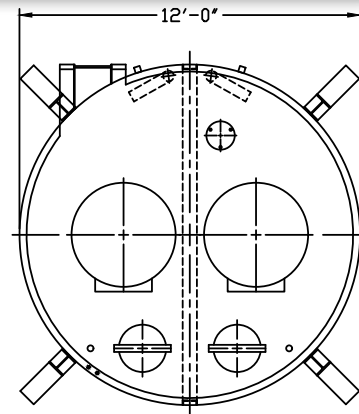
- 12'-0" Diameter x 45'-1" Overall Height
- (2) 150 Sq. Ft. Bag Area Dust Collectors with Air Vibrators
- (2) Pressure Relief Valves
- 3'-6" Clearance Under Discharge
- Outside Ladder with OSHA Compliant Fall Arrest Cable System
- (2) 4" Fill Pipes with Aluminum Adapters
- (2) 20" Non-Pressurized Inspection Manholes
- (12) Externally Mounted Air Pads with Manifold, Regulator, and Check Valve
- (2) Emergency Jam Gates
- Sandblast, Prime, and Paint
- Standard Colors:
- RAL 7038 Gray, RAL 9010 White, RAL 1001 Tan, RAL 1032 Yellow

## Options

- 225 Sq. Ft. Dust Collector
- 330 Sq. Ft. Pulse Jet Dust Collector
- Bin Level Indicators
- Manual Air Valve Controls
- Butterfly Valve
- 5" Fill Pipe
- 33/66 or 50/50 Split Design
- 2'-0" or 3'-6" Discharge Center

## Specifications

- Empty Weight 25,000#
- 3,400 Cu. Ft. Capacity
- 158 Ton Capacity (Cement)
- Part Number: BST850S-120



# 1000 Barrel Split Cement Silo

**BELGRADE  
STEEL TANK**



## 1000 Barrel Split Silo

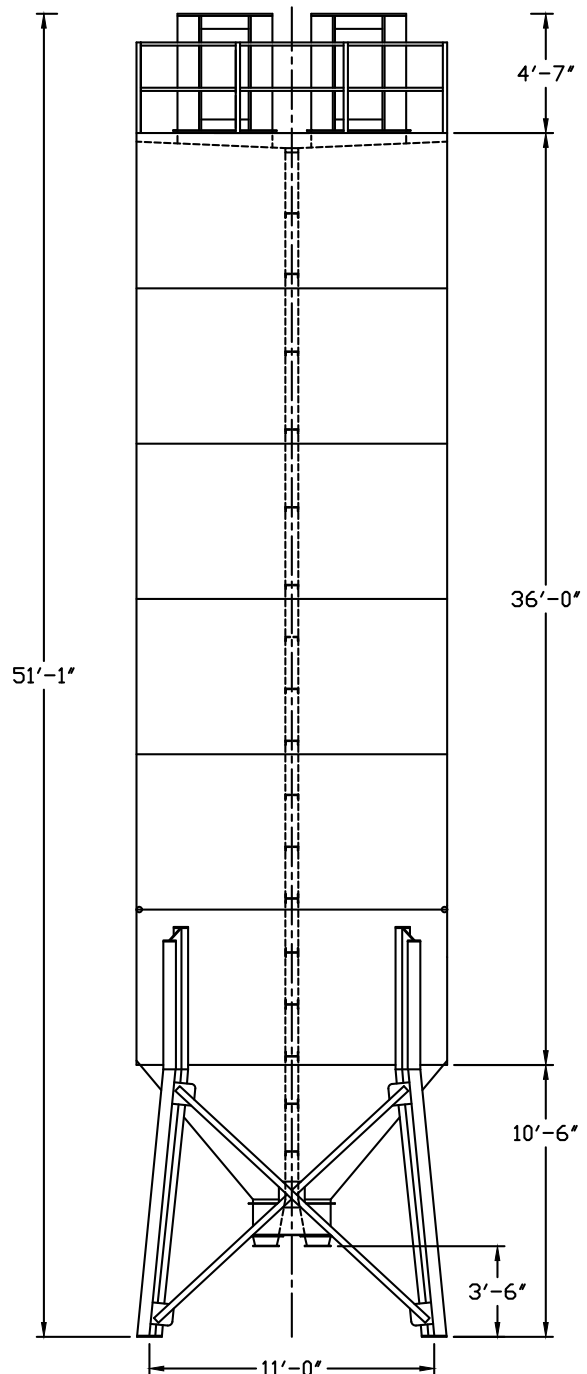
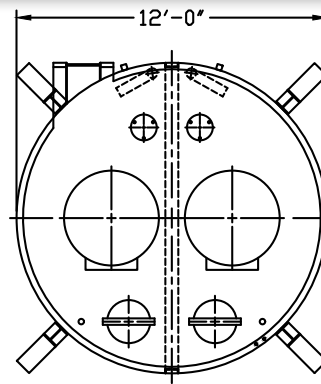
- 12'-0" Diameter x 51'-1" Overall Height
- (2) 150 Sq. Ft. Bag Area Dust Collectors with Air Vibrators
- (2) Pressure Relief Valves
- 3'-6" Clearance Under Discharge
- Outside Ladder with OSHA Compliant Fall Arrest Cable System
- (2) 4" Fill Pipes with Aluminum Adapters
- (2) 20" Non-Pressurized Inspection Manholes
- (12) Externally Mounted Air Pads with Manifold, Regulator, and Check Valve
- (2) Emergency Jam Gates
- Sandblast, Prime, and Paint
- Standard Colors:
  - RAL 7038 Gray, RAL 9010 White, RAL 1001 Tan, RAL 1032 Yellow

## Options

- 225 Sq. Ft. Dust Collector
- 330 Sq. Ft. Pulse Jet Dust Collector
- Bin Level Indicators
- Manual Air Valve Controls
- Butterfly Valve
- 5" Fill Pipe
- 33/66 or 50/50 Split Design
- 2'-0" or 3'-6" Discharge Center

## Specifications

- Empty Weight 30,000#
- 4,000 Cu. Ft. Capacity
- 187 Ton Capacity (Cement)
- Part Number: BST1000S-120



# 1200 Barrel Split Cement Silo

**BELGRADE**  
**STEEL TANK**



## 1200 Barrel Split Silo

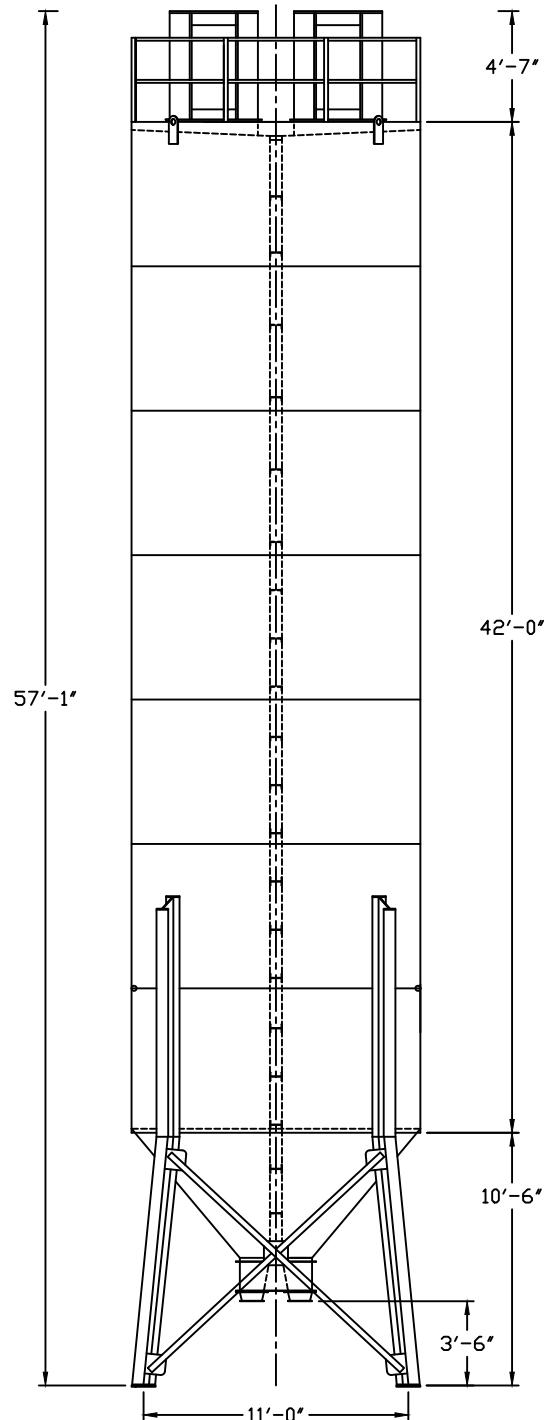
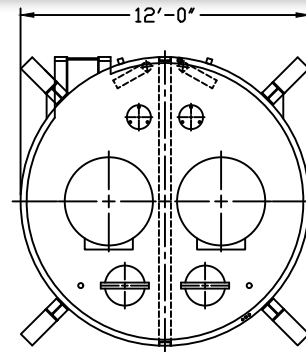
- 12'-0" Diameter x 57'-1" Overall Height
- (2) 150 Sq. Ft. Bag Area Dust Collectors with Air Vibrators
- (2) Pressure Relief Valves
- 3'-6" Clearance Under Discharge
- Outside Ladder with OSHA Compliant Fall Arrest Cable System
- (2) 4" Fill Pipes with Aluminum Adapters
- (2) 20" Non-Pressurized Inspection Manholes
- (12) Externally Mounted Air Pads with Manifold, Regulator, and Check Valve
- (2) Emergency Jam Gates
- Sandblast, Prime, and Paint
- Standard Colors:
  - RAL 7038 Gray, RAL 9010 White, RAL 1001 Tan, RAL 1032 Yellow

## Options

- 225 Sq. Ft. Dust Collector
- 330 Sq. Ft. Pulse Jet Dust Collector
- Bin Level Indicators
- Manual Air Valve Controls
- Butterfly Valve
- 5" Fill Pipe
- 33/66 or 50/50 Split Design
- 2'-0" or 3'-6" Discharge Center

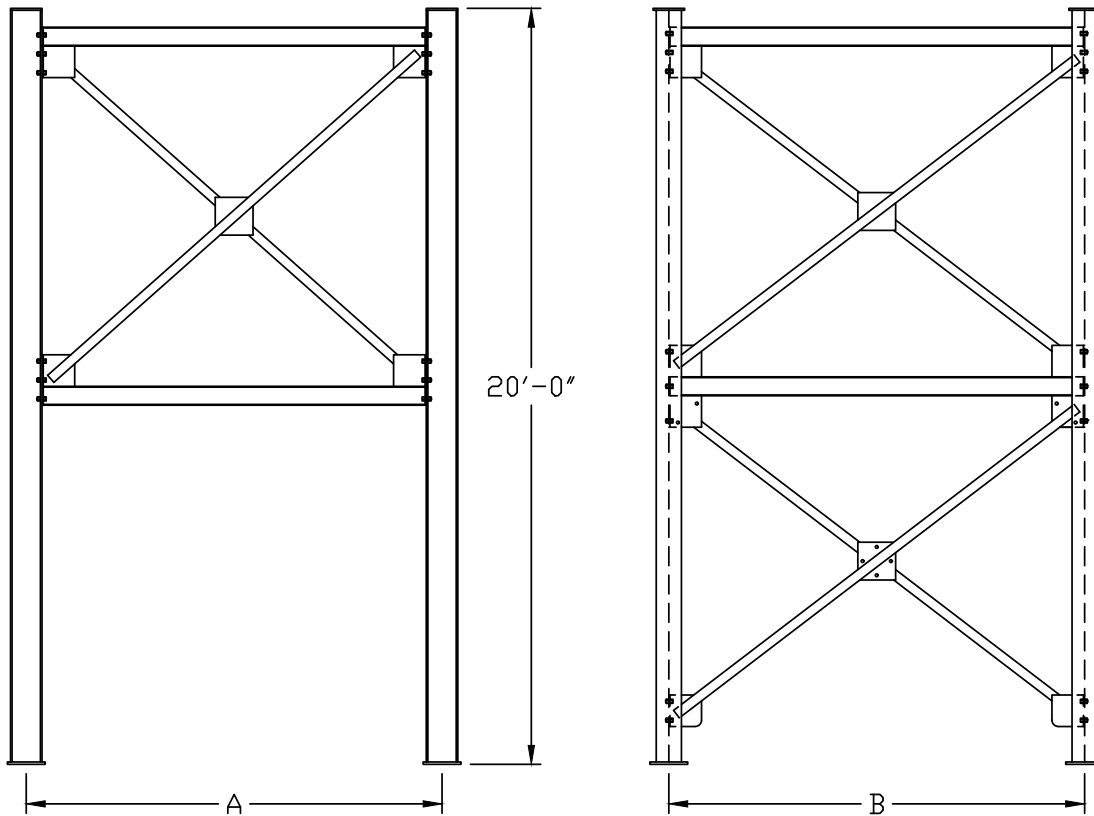
## Specifications

- Empty Weight 35,000#
- 4,600 Cu. Ft. Capacity
- 213 Ton Capacity (Cement)
- Part Number: BST1200S-120





# Belgrade Structural Stands

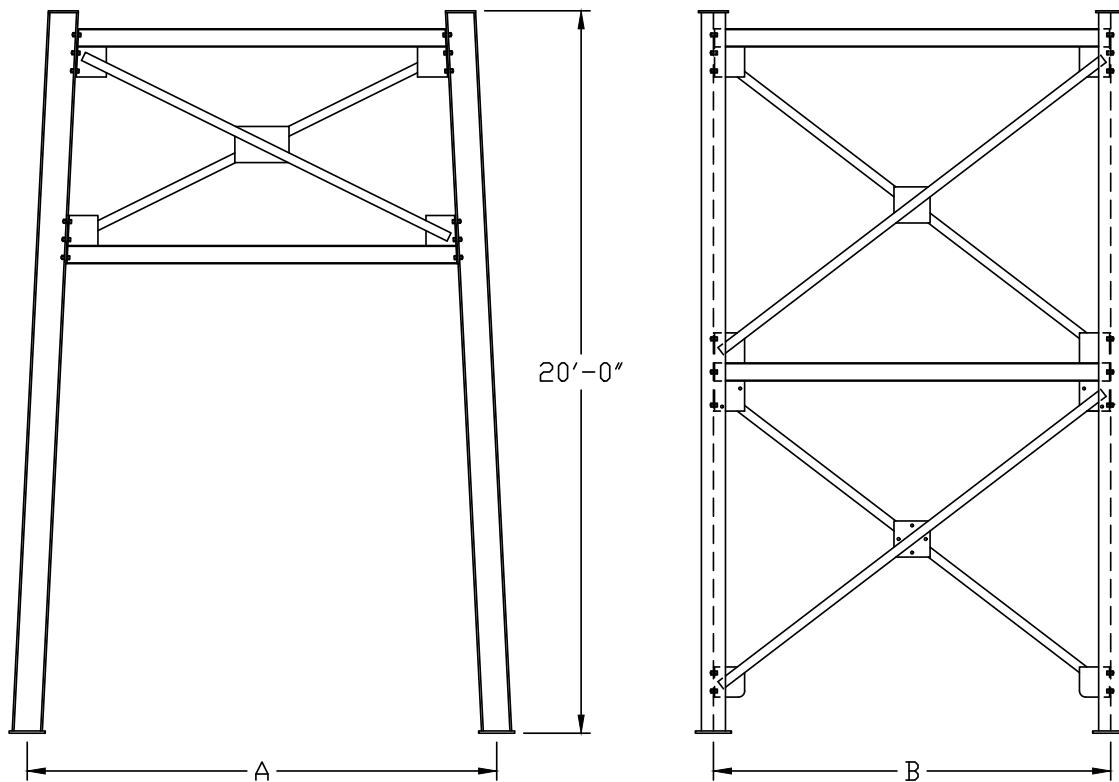


## Non-Drive Thru Stands

- 20 Ft. Standard Height (Shorter or Taller May be Special Ordered)
- 4" Fill Pipe Extension
- Optional 5" Fill Pipe
- Outside Ladder with OSHA Compliant Fall Arrest Cable System
- Wide Flange Beam Columns and Horizontal Bracing with Angle Iron X-Bracing
- Minimal Bolted Assembly for Ease of Erection and Transportation
- Sandblast, Prime, and Paint
- Standard Colors:
- RAL 7038 Gray, RAL 9010 White, RAL 1001 Tan, RAL 1032 Yellow
- Optional Work Platform

Barrel	A	B	Weight
185	7'8"	7'8"	4,200#
270	7'8"	7'8"	4,200#
350	7'8"	7'8"	4,200#
450	9'10"	9'10"	4,200#
550	9'10"	9'10"	4,800#
700	11'0"	11'0"	4,800#
900	11'0"	11'0"	7,500#
1050	11'0"	11'0"	7,500#
1200	11'0"	11'0"	7,500#
700 Split	11'0"	11'0"	7,500#
850 Split	11'0"	11'0"	7,500#
1000 Split	11'0"	11'0"	7,500#
1200 Split	11'0"	11'0"	7,500#

# Belgrade Structural Stands



## Drive Thru Stands

- 20 Ft. Standard Height (Shorter or Taller May be Special Ordered)
- 4" Fill Pipe Extension  
Optional 5" Fill Pipe
- Outside Ladder with OSHA Compliant Fall Arrest Cable System
- Wide Flange Beam Columns and Horizontal Bracing with Angle Iron X-Bracing
- Minimal Bolted Assembly for Ease of Erection and Transportation
- Sandblast, Prime, and Paint
- Standard Colors:
- RAL 7038 Gray, RAL 9010 White, RAL 1001 Tan, RAL 1032 Yellow
- Optional Work Platform

Barrel	A	B	Weight
185	13'0"	7'8"	4,200#
270	13'0"	7'8"	4,200#
350	13'0"	7'8"	4,200#
450	13'0"	9'10"	4,200#
550	13'0"	9'10"	4,800#
700	13'0"	11'0"	4,800#
900	13'0"	11'0"	7,500#
1050	13'0"	11'0"	7,500#
1200	13'0"	11'0"	7,500#
700 Split	13'0"	11'0"	7,500#
850 Split	13'0"	11'0"	7,500#
1000 Split	13'0"	11'0"	7,500#
1200 Split	13'0"	11'0"	7,500#